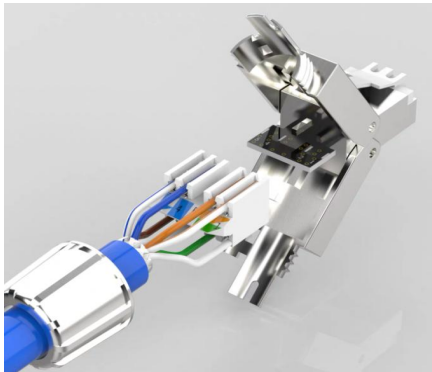


PATENTED



①



②



TYPE:

1. CAT6A RJ45 SHIELDED TOOLLESS PLUG
2. COLOUR: SILVER
3. ROHS,REACH COMPLIANT

CABLE MATCHED:

1. SOILD AND STRANDED
2. 22AWG/23AWG/24AWG

ELECTRICAL:

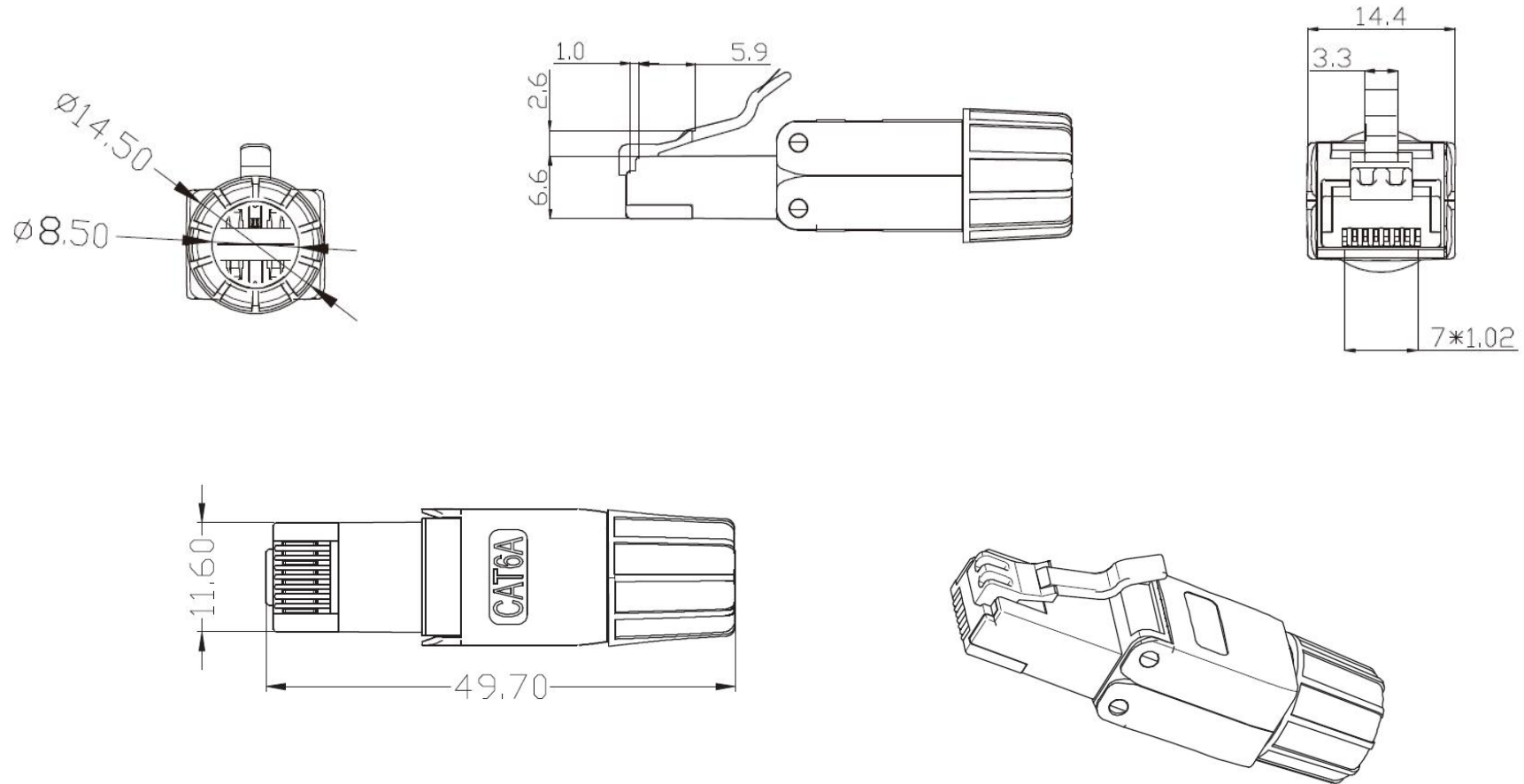
1. CONTACT RESISTANCE: 20m OHM
2. INSULATION RESISTANCE: <=500M OHM @100 V DC
3. WITHSTAND VOLTAGE: DC1000V AC700V RMS 60Hz, IMIN
4. CAT6 PERMANENT LINK: CONFORM TO ANSI/TIA/EIA 568B. 2-10

ENVIRONMENTAL:

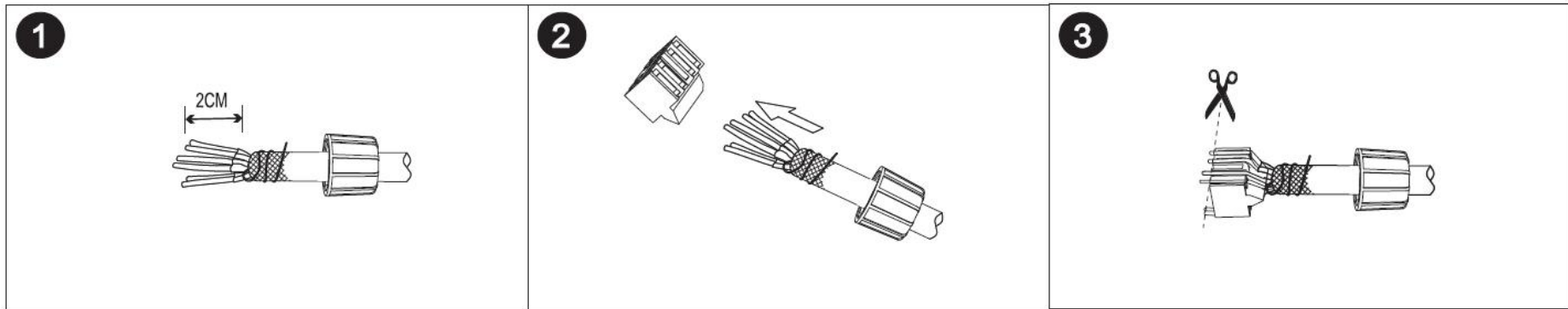
1. STORAGE: -40° / +70°
2. OPERATION: -10° / +60°

MECHANICAL:

1. SHIELDED MATERIAL: ZINC ALLOY
2. PLASTIC MATERIAL: NEW PC
3. GOLD PINS: PHOSPHOR BRONZE, GOLD PLATING 3U''
4. TERMINAL PINS: PHOSPHOR BRONZE, ZIN PLATING
5. RJ45 CONTACT LIFE: 750 TIMES MIN
6. IDC TERMINAL LIFE: 250 TIMES MIN



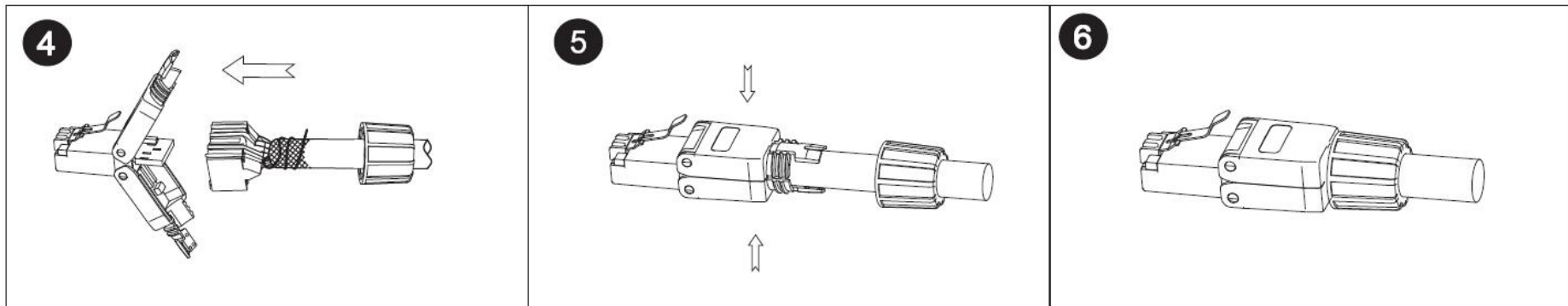
CAT6A SHIELDED TOOLLESS PLUG INSTRUCTION MANUAL



1 TAKE OF THE CABLE JACKET BY TOOL ABOUT 2CM

2 PUT CABLE INTO IDC ACCORDING TERMINAL T568

3 CUT AWAY THE EXTRA WIRES



4 TO INSERT IDC INTO PCB

5 PRESS DOWN BOTH SIDE METAL HOUSING UNTIL THE WIRE INTO THE IDC PIN CHASE

6 THE FINISHED PRODUCT